
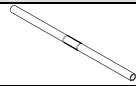




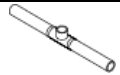
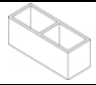


A. Typical Applications

Item	Parameter
Description	VM-880 Ferrous Metal Detector
Uses	Locating & pinpointing buried ferrous objects

B. Nominal Locating Capability

Typical metal (ferrous or steel) objects are shown here. Depth indications are typically distances. The Depth range depends on mass of the metal and may vary greatly from what is indicated below.

Depth	Ferrous or Steel	Depth	Ferrous or Steel
Small PK Nail Up to 6 in (15 cm)		Cast Iron Pipe Joint Up to 9 ft (2.7m)	
1½ in(4 cm) Large PK Nail Up to 10in (25 cm)		Manhole cover Up to 10ft (3m)	
Marker Stake Up to 8ft (2.4m)		5in Iron Pipe Up to 10ft (3m)	
Valve Box Up to 10ft (3m)		Large Iron Tank Up to 16ft (4.8m)	

C. VM-880 Ferrous Metal Detector

Item	Parameter
Construction	- Carbon fiber reinforced antenna tube - High impact thermoplastic (ABS) injection molded housing
Weight	1.54lbs (0.7kg)
Dimensions	43in(L) x 2.5in(W) x 2.6in(H) (1090mm x 88mm x 67mm)
Digital Display	Indicates polarity, signal level, battery condition and power signal warning
Piezo Speaker	Tone frequency increases or decreases with gradient field intensity.
Receiver Antennas	Dual magnetometers
Batteries	- 2 x AA (LR6) Alkaline batteries
Battery Life	- Alkaline – typically 26 hours continuous use at 70°F (21°C)
Controls	- Pushbutton keypad: On/Off/Speaker, sensitivity '+' and '-', auto sensitivity, screen invert
Connectors	- 1 x mini USB socket for programming
Approvals	- Complies with European standard CE (Directive 99/5/EC) <ul style="list-style-type: none"> • EN 61000-6-4: 2007 • EN 61000-4-3: 2006 • EN 61000-4-2: 1995 A1 & A2 • EN 61000-4-8: 1994 A1 • ETSI EN 300 330-2: 2006 • ETSI EN 301 489-1: 2005 • ETSI EN 301 489-3: 2002 - Complies with FCC Rules Part 15 <ul style="list-style-type: none"> • CFR 47 part 2: 2004 • CFR 47 Part 15: 2006 • ANSI C63.4: 2003
Standard Accessories	- Soft carry bag - Quick guide

D. Operational

Item	Parameter
Configuration	<ul style="list-style-type: none"> - On/off/speaker <ul style="list-style-type: none"> • Short press to turn on • Short press toggles volume (zero, middle, max) • Long press to turn off - Auto Time Off <ul style="list-style-type: none"> • Unit will shut down if no control button is touched for 15 mins. - '+' increases sensitivity - '-' decreases sensitivity - Auto sensitivity pushbutton <ul style="list-style-type: none"> • Adjust sensitivity to the center for given magnetic field • Long press to invert screen

E. Environmental

Item	Parameter
Temperature Range	Operating: -4°F to 120°F (-20°C to 50°C) Storage: -40°F to 140°F (-40°C to 60°C)
Weather Proof	IP54 and NEMA 4
Shipping Weight	4.4lbs (2kg)
Shipping Dimension	47in(L) x 3in(W) x 6.7in(H) (1195mm x 80mm x 170mm)

F. Warranty

Item	Parameter
Warranty	12 months

G. Features

Item	Parameter
Enhanced Features	<ul style="list-style-type: none"> <li style="width: 50%;">- Enhanced ergonomic design <li style="width: 50%;">- interference <li style="width: 50%;">- Visual and audible output <li style="width: 50%;">- Lightweight <li style="width: 50%;">- Field polarity indication <li style="width: 50%;">- High-impact construction <li style="width: 50%;">- Superior sensitivity over wide temperature range <li style="width: 50%;">- Rugged <li style="width: 50%;">- Rejects non-magnetic objects <li style="width: 50%;">- Compact <li style="width: 50%;">- Weather resistant <li style="width: 50%;">- 50/60Hz power proximity warning <li style="width: 50%;">- High rejection of power source <li style="width: 50%;">- Screen invert

Disclaimer: All product availability or product accessory information is subject to change without notice.

<p>USA Vivax-Metrotech Corp. 3251 Olcott Street, Santa Clara, CA 95054, USA</p> <p>T/Free: +1-800-446-3392 Tel: +1-408-734-1400 Fax: +1-408-734-1415</p> <p>sales@vxmt.com www.vivax-metrotech.com</p>	<p>Canada Vivax Canada Inc. 400 Esna Park Drive, Unit 17, Markham, Ontario, L3R 3K2, Canada</p> <p>Tel: +1-289-846-3010</p> <p>CanadianSales@vxmt.com www.vivax-metrotech.com</p>	<p>Europe SebaKMT Seba Dynatronic Mess-und Ortungstechnik GmbH Dr.-Herbert-lann-Str. 6, 96148 Baunach, Germany</p> <p>Tel: +49-9544-680 Fax: +49-9544-2273</p> <p>service@sebakmt.com www.sebakmt.com</p>	<p>Australasia SebaKMT AUS Unit 1, 176 South Creek Road, Cromer NSW 2009, Australia</p> <p>Tel: +61-2-9972-9244 Fax: +61-2-9972-9433</p> <p>sales@sebakmtaus.com service@sebakmtaus.com www.sebakmtaus.com</p>	<p>China Leidi Utility Supply (Shanghai) Ltd. Rm405 3rd Building No. 641, Tianshan Rd, Shanghai, China 200336</p> <p>Tel: +86-21-5187-3880 Fax: +86-21-5168-5880</p> <p>info@leidi.cn www.leidi.com</p>
--	---	---	--	--