



# vCam-5 Inspection System

- One touch recording
- Lightweight and compact design
- Records to USB, SD or HDD
- JPEG still image capture
- Wi-Fi and Ethernet interface
- Li-ion Rechargeable Batteries
- Multi color text writer
- High resolution 8" LCD
- Full splash-proof keyboard
- Multi language





## vCam-5 Video Inspection Systems

Our vCam-5 Inspection is centered around the innovative vCam-5 Control Module. The Control Module's lightweight ergonomic design is manufactured for tough field usage and is weather resistant to the IP54 specification. Designed with ease of use in mind and engineered for durability and dependability the vCam-5 Control Module can give you trouble free operation with little down time.

The vCam-5 records video and captures still images to its 300 GB internal hard drive or directly to USB thumb-drives or SD cards in AVI video format. Standard features include a full text writer with the ability to change font and background colors, 512Hz/640Hz transmitting sonde, internal/external voice-over, built-in rechargeable batteries, camera test port and software interface.

### Features:

- ▶ 4 X Digital Zoom - For viewing objects up close.
- ▶ Wi-Fi Interface - For data transfer to a PC.
- ▶ Video Streaming - To your PC with file access and recording controls.
- ▶ RS232 Interface - For use with 3rd party observation reporting software.



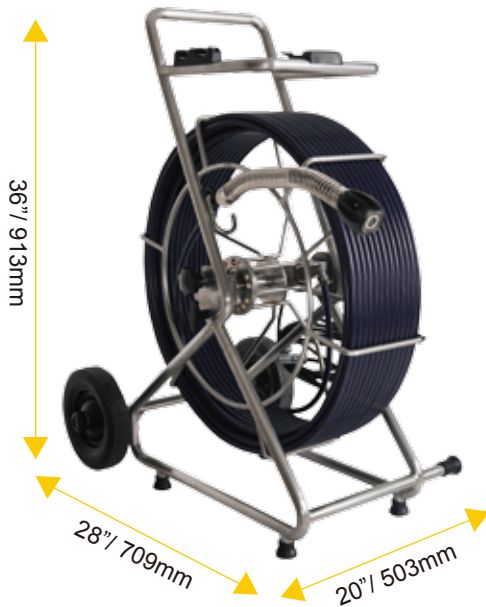
# Reels and Camera Heads

## Reels

The vCam-5 reels are built tough for high performance use to cope with your day-in/day-out situations. All the reels are built of stainless steel for outdoor use and come with locatable sondes and detachable field-serviceable termination coils. Our "True Blue" brand of pushrod gives you maximum pushing distances in pipes but with good flexibility for going through elbows and sweeps.

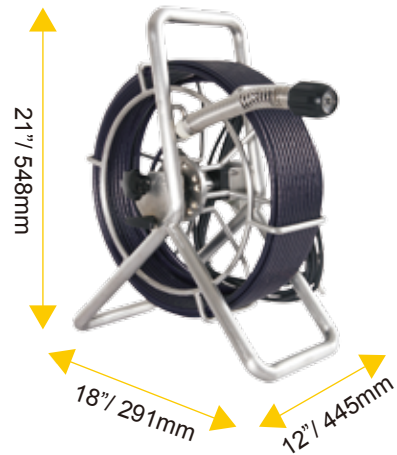
### TYPE-CP "STANDARD" REEL

- ▶ Profile is wide enough to roll without rocking and tipping but slim enough to go through doorways and gates.
- ▶ All stainless steel construction.
- ▶ Friction and locking brakes.
- ▶ Available in 200 feet and 400 feet of 12mm rod.



### TYPE-M2 "MINI" REEL

- ▶ Profile is small for use in those hard to reach areas such as roof tops, multi level buildings and for use in confined spaces.
- ▶ All stainless steel construction.
- ▶ Friction brake and locking brakes.
- ▶ Available in 100 feet and 200 feet of 10mm rod.



## Camera Heads

Vivax-Metrotech Camera Heads have stainless steel housings, tough sapphire lenses with high intensity LEDs. Our camera heads are a "modular" design for easy service by local authorized service centers. The camera attaches to hardened termination springs – tougher than those used in previous models – which are able to negotiate sweeps and difficult entry points. All our camera heads carry our full one year warranty, and a camera exchange program is available.

### Cameras for the "Standard" Type-CP Reel

#### D34-C

1.3 inch (34mm) Diameter

Use in 3" (75mm) to 6" (150mm) lines

Self Leveling

Full Color



#### D46-C

1.8 inch (46mm) Diameter

Use in 4" (100mm) to 8" (200mm) lines

Self Leveling

Full Color



### Cameras for the "Mini" Type-M2 Reel

#### D34-M

1.3 inch (34mm) Diameter

Use in 3" (75mm) to 4" (100mm) lines

Self Leveling

Full Color



#### D25-M

1 inch (25mm) Diameter

Use in 2" (50mm) to 3" (75mm) lines

Fixed Position

Full Color





## Camera Skids

### Guide Skids



Plastic Guide Skids help protect the camera head, increase pushing distance and center the camera head in pipes.

### Type "B" Adjustable Skid



The Type "B" Adjustable Skid, for the D46/SL, is used for larger diameter pipes in lines from 8 to 15 inches in diameter. The Type "B" Skid is made of aluminum with stainless steel hardware and polyurethane wheels.

### Type "B" Skid Light Kit



The Type "B" Light Kit requires no tools to attach to the Type "B" Skid. The powerful lights are powered by 3 each AA alkaline batteries and provides 6000 mcd of additional lighting.

A range of aftermarket skids are also available. Contact your local distributor for more information or visit us online at [www.vivax-metrotech.com](http://www.vivax-metrotech.com) for more information.

## Camera & Sonde Locators

Vivax-Metrotech is a world leader in locator technology. We offer a choice of locators and the latest in locating technology.

### VM-540 Camera & Sonde Locator



The VM-540 Locator can locate the vCam series cameras, sondes and crawler camera systems. The receiver comes with Sonde frequencies of 512Hz and 33kHz and with a passive 60Hz mode which will detect the presence of power lines, CATV, telephone and some metallic pipes which radiate 60Hz. Depth is shown at the push of a button on the LCD display.

### vLocCam2 Multi Frequency Camera & Sonde Locator



The vLocCam2 Sonde and Camera locator is a lightweight, durable locator with a full color display. The vLocCam2 Receiver comes standard with sonde/camera frequencies of 8kHz, 33kHz, 512Hz, 640Hz, power and radio. Push button depth displays the depth of cover.

For more information contact:

#### **Vivax-Metrotech Corporation**

3251 Olcott Street, Santa Clara, CA 95054, USA  
T/Free: +1-800-446-3392 Tel: +1-408-734-1400  
Fax: +1-408-734-1415 Email: [sales@vxmt.com](mailto:sales@vxmt.com)

#### **Vivax Canada Inc.**

41 Courtland Ave Unit 6, Vaughan, ON L4K 3T3, Canada  
Tel: +1-289-846-3010 Fax: +1-905-752-0214  
Email: [CanadianSales@vxmt.com](mailto:CanadianSales@vxmt.com)

#### **Vivax-Metrotech Ltd.**

14-15, Bishops Court Gardens, Bishops Court Lane,  
Clyst St. Mary, Exeter, Devon, EX5 1DH, UK  
Tel: +44(0)1392-368833  
Email: [salesUK@vxmt.com](mailto:salesUK@vxmt.com)



Disclaimer: Product and accessory specification and availability information is subject to change without prior notice. V1.2(March 2013)